

# INSTRUCTION MANUAL

Model : Dragon 100 / 200 / 220



VIDEO

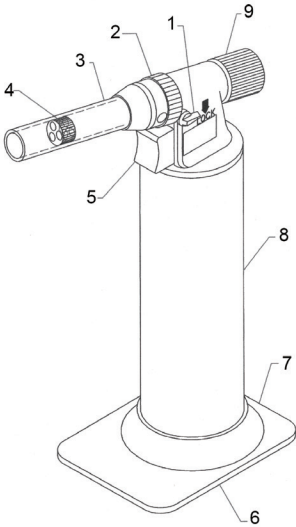
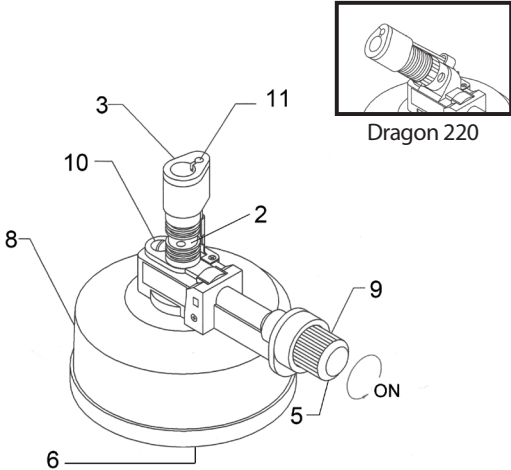
Dragon 100



VIDEO

Dragon 200/220

Carefully check if the shipping carton is damaged before unpacking. Please check the items according to standard package list. The instrument shall not be modified in any way. Any modification will void the warranty and may result in potential hazard. If you have any question, please preserve serial no. and shipping carton and contact your dealer for quick solution.

Dragon 100		Dragon 200 / 220	
			
<p>* The angel of Dragon 200 / 220 is fixed and cannot be regulated.</p>			
Standard package list	A. Main Unit B. Removable Base	Standard package list	A. Main Unit

\* Lab Burner does not contain any butane gas when purchased, please follow the instructions to make it operational.

Position	Designation	Position	Designation	Position	Designation
1	Safety Lock	5	Ignition Button	9	Gas Control Knob
2	Air Control Sleeve	6	Filling Valve	10	Safety Valve
3	Flame Guard	7	Removable Base	11	Ignition Pin
4	Fluid Nozzle	8	Fuel Tank		

## CAUTION

1. Do NOT touch Flame Guard (3) during work or after use to avoid being burnt.
2. Always point the instrument away from eyes and body.
3. Fill the butane gas and work instrument in a well-ventilated area.
4. Refill the butane gas only after the instrument cools down completely.
5. Keep out of reach of children.
6. The following uses of the instrument are prohibited:
  - \* Rotating it and using it upside down.
  - \* Use it near flammable material or explosive area.
  - \* Disassemble, modify, drop, puncture, and incinerate it.
  - \* Expose it to direct sunlight, store in area exceeding 50°C or near flammable material.

## Usage Guide

### A. Gas Filling (Butane) and Refilling (Fig.1)

1. Make sure Gas Control Knob (9) is turned off then invert it upside down.
2. Shaking butane gas canister several times, insert the gas nozzle vertically downward into Filling Valve (6).
- \* Use the butane gas only. Lab burner might be blocked if it is filled with other kinds of gas.
3. Apply firm pressure till gas starts to overflow then release the gas nozzle to finish "Filling" step.

### B. Ignition (Fig.2)

- \* Dragon 100: Turn the Safety Lock (1) to horizontal, upright position before ignition.
1. Make the notch and hole on the Air Control Sleeve (2) coincide with the hole on the main unit.
  2. Turn the Gas Control Knob (9) counterclockwise about 90° and follow with gas escaping sound.
  3. Press the Ignition Button (5) to light the flame instantly.

### C. Flame Length Adjustment

1. After ignition, turn the Gas Control Knob (9) counterclockwise (left) to increase the flame; clockwise (right) to decrease the flame or shut it off.

### D. Shut-Off

1. Turn the Gas Control Knob (9) clockwise (right) to shut it off.
- \* Firmly close the Gas Control Knob (9) and lock the Safety Lock (1) (Dragon 100 only) after every use.

### E. Thermal Power Control (Fig.3)

1. Turn the Air Control Sleeve (2) either to the left or right to regulate the air intake and obtain the required temperature.
- \* The Max. temperature attainable will be approximately 1300°C.

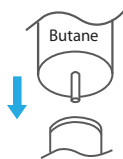


Fig. 1 Gas Filling

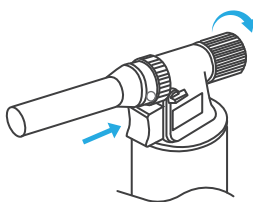


Fig. 2 Ignition

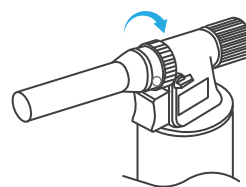


Fig. 3 Thermal Power Control

## Ordering Information

177100-00	Dragon 100, Lab Burner	177200-T	Dragon 200 - T, Lab Burner Set
177200-00	Dragon 200, Lab Burner		(including Dragon 200, lab burner stand, ceramic net mesh)
177220-00	Dragon 220, Lab Burner	177200-10	Lab burner stand
		177220-12	Ceramic net mesh